

iOS EDITION

# VLOGGER KIT

MOBILE FILMMAKING KIT FOR iOS DEVICES



MOBILE  
FILMMAKING



PROFESSIONAL  
QUALITY



DIRECTIONAL  
SOUND PICKUP



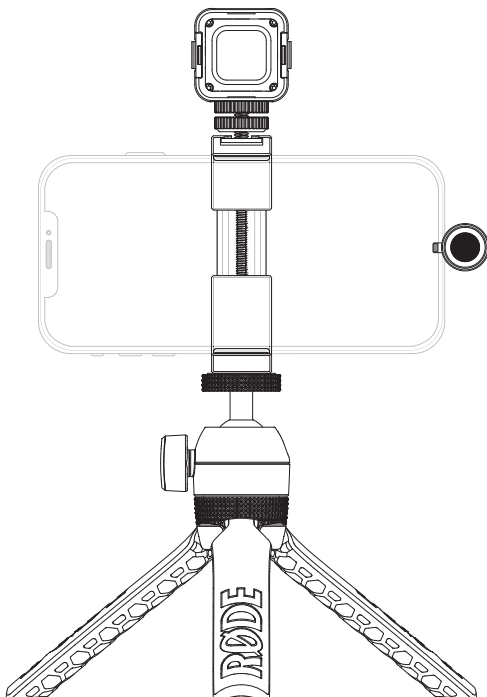
The iOS Vlogger Kit contains everything you need to get professional results when filming using your iPhone. The VideoMic Me-L microphone connects directly to your device, delivering crisp, clear, directional sound for any application. The SmartGrip secures your device firmly in place for stable recording and connects seamlessly to the Tripod 2 for either handheld or tabletop use, while the MicroLED ensures all your shots are perfectly lit.

- Complete iPhone filmmaking kit
- Directional sound pickup to reduce background noise
- MicroLED light offers over four hours operation on a single charge
- Three-position tripod for handheld or static use
- Gimbal tripod head for accurate camera positioning
- All-metal mount with rubberised grips for phones 65mm to 85mm wide



## IN THE BOX

- VideoMic Me-L Microphone
- Rubber Clip
- WS9 Windshield
- SmartGrip
- Tripod 2
- MicroLED On-camera Light
- Clip-on Diffuser
- 8 Coloured Filters
- USB-C Cable



# VideoMic™ Me-L

DIRECTIONAL MICROPHONE FOR iOS DEVICES



DESIGNED FOR  
APPLE DEVICES



HEADPHONE  
OUTPUT JACK



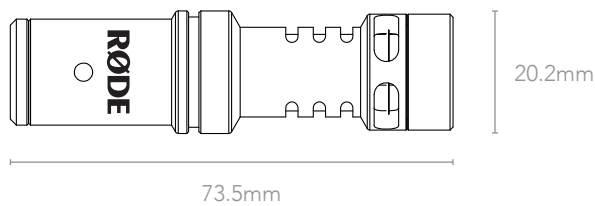
NO BATTERY  
REQUIRED



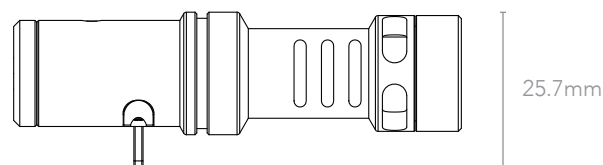
VideoMic Me-L is a high-quality microphone for your iPhone or iPad (with Lightning input) designed to give you incredible audio when shooting video. The microphone's directionality reduces surrounding noises to focus on exactly what you're filming, making sure your videos sound clear and intelligible. The 3.5mm jack provides a headphone output for audio monitoring and playback.

- Officially MFi Certified (made for iPhone)
- 3.5mm headphone output jack
- Deluxe furry windshield included (WS9)
- Direct monitoring
- Works seamlessly with the RØDE Reporter App, GarageBand, Camera, Voice Memos and other recording apps

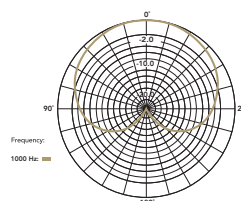
Front view



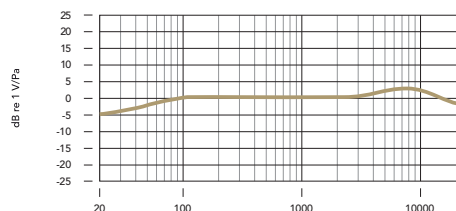
Side view



POLAR PATTERN



FREQUENCY RESPONSE



## ACOUSTIC & ELECTRICAL SPECIFICATIONS

Acoustic Principle:	Pressure gradient electret condenser
Polar Pattern:	Cardioid
Frequency Range:	20Hz - 20kHz
Signal to Noise Ratio:	74.5 dBA
Equivalent Noise:	19.5 dBA SPL (A-weighted as per IEC651)
Maximum SPL:	115 dB SPL (1 kHz @ 1m)
Power Requirement:	Powered by iOS device
Analog Outputs:	3.5mm headphone
Device Connectivity:	Lightning connector
Simultaneous I/O:	1 in, 2 out
Bit Depth:	24-bit
Sample Rates:	44.1 and 48 kHz
Direct Monitor:	Yes
Bus Powered:	Yes
OS Requirements:	iOS 11 or higher
Material:	Aluminium
Colour:	Black
Weight (grams):	28
Dimensions: (millimetres)	Length: 73.5 Height: 25.4 Depth: 20.1

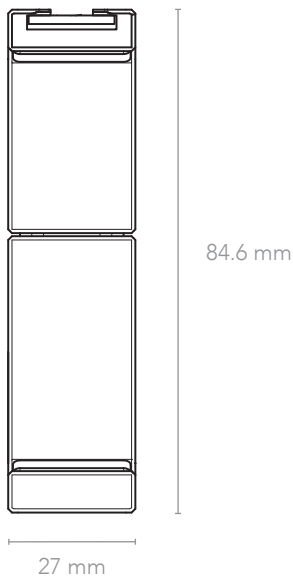
# SMARTGRIP

SMARTPHONE TRIPOD ADAPTOR

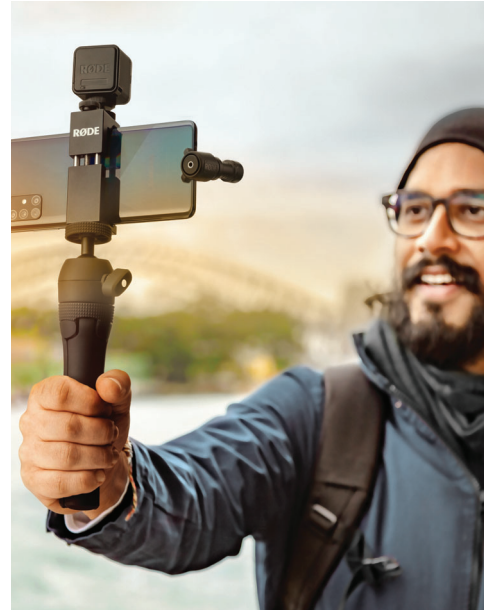
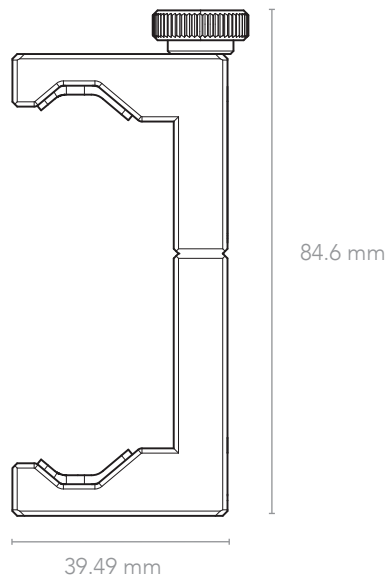


The SmartGrip is a high-quality solution for mounting a smartphone on a tripod. It features a cold shoe mount for easy attachment of RØDE VideoMics and other accessories. Three 1/4" thread attachment points allow for easy mounting on tripods and grips in a range of orientations. The SmartGrip features rugged metal construction with rubberised grips and is suitable for mounting phones from 65mm to 85mm in width.

Front view



Side view



## MECHANICAL SPECIFICATIONS

Material:	Aluminium/Steel
Colour:	Black
Weight (grams):	89
Dimensions (millimetres)	Length: 27 Width: 39.49 Height: 84.6
Compatible RØDE Products:	<ul style="list-style-type: none"><li>• Tripod</li><li>• DCS-1</li></ul>
Support Weight (grams):	Up to 226

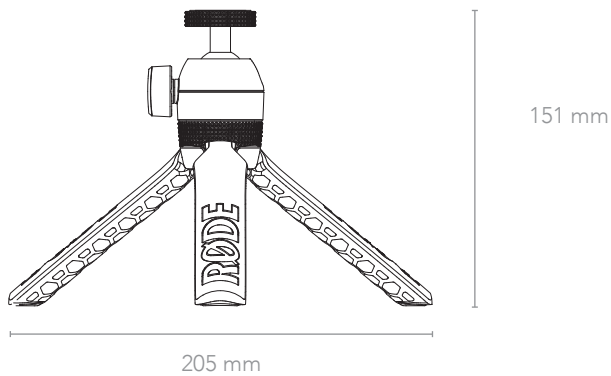
# TRIPOD 2

CAMERA AND ACCESSORY MOUNT

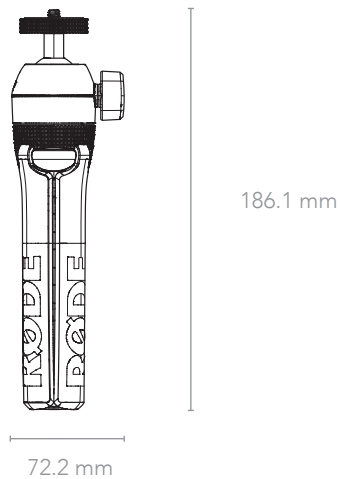


The Tripod 2 is a sturdy three-position tripod for mounting cameras, microphones and other accessories. In the closed position, it is perfect for handheld use. The tripod legs can also be opened out to a mid or wide setting for optimal positioning and stability. The Tripod 2 has a 1/4" thread for attaching cameras and camera accessories.

Fully extended view



Closed view



## MECHANICAL SPECIFICATIONS

Material:	Injection-moulded polymer
Colour:	Black
Weight (grams):	180
Dimension (millimetres)	Closed: Height: 186.1 Width: 72.2mm  Fully extended: Height: 151 Width: 205
Compatible RØDE Products:	<ul style="list-style-type: none"><li>• SmartGrip</li></ul>
Support Weight (kilograms):	Up to 2 (when the head is at a 90 degree angle and the Tripod 2 is fully extended)

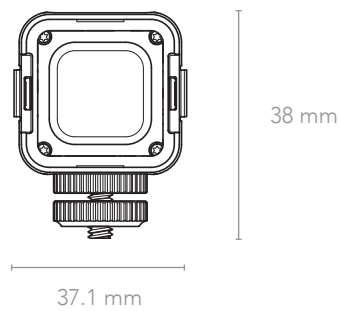
# MicroLED

COMPACT ON-CAMERA LIGHT

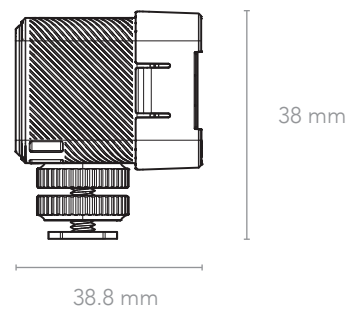


The MicroLED is a compact rechargeable on-camera light. It is ideal for vlogging, newsgathering, mobile filmmaking and documentary production. The MicroLED features four adjustable brightness settings, and a clip-on diffuser with eight coloured filters. Power is supplied via the USB-C charging port, which both charges the internal battery and can also operate the light. Run time over four hours at low brightness.

Front view



Side view



## MECHANICAL & ELECTRICAL SPECIFICATIONS

Connectivity: USB Type-C

Battery Usage Time (minutes):

Maximum Brightness: Up to 52  
High Brightness: Up to 75  
Medium Brightness: Up to 105  
Low Brightness: Up to 255

Lumens (LUX)

Maximum Brightness: 300  
High Brightness: 230  
Medium Brightness: 160  
Low Brightness: 60

Power Requirements: 5V = 2A

Weight (grams): 58.7

Dimensions (millimetres):  
Length: 38.8  
Width: 37.1  
Height: 38

Compatible RØDE Products:  
• SmartGrip  
• DCS-1