

---

# THE PERFORMER<sup>3</sup>

## TEMPO RANGE

An unbreakable stand, now comes with adjustable friction and a quick release tray. The stand nests nicely for compact storage and has no knobs to fiddle with or lose. The Performer 3 has rubber feet to protect the floor, a music tray made of a Polypropylene with a honeycomb back which will not "ring" when knocked and an optional extra lip on the music tray for pencils and erasers. An extremely tough and scratch resistant epoxy coating makes this stand enormously durable.



**RATstands**

1. The Newly designed injection moulded tray is virtually unbreakable; It has a honeycomb back which give the tray even greater strength and stability and if bent, it springs back. The tray is made of a polypropylene which does not "ring" when knocked. It has smoothly rounded edges all over – safe to handle and kind to your instruments.

2. You can add an additional lip/shelf for pencils and small instruments. This is optional but is very useful and can be connected in seconds with a few small screws.

3. Fully adjustable friction locks automatically hold the tray at whatever height you set. If you want to have a very tight tray that can hold a library of scores turn the posi screw at the top of the stem one way. If you want a nice loose motion for ease when changing tray heights turn the posi screw the other way. The tray also uses friction to set its self in position.

4. The heavy-gauge steel stem is very strong and rigid. This stand doesn't sway, and yet can be adjusted smoothly and easily to the desired height, where it stays automatically.

5. The base is made from tubular steel for strength and rigidity without excess weight. Rubber feet preserve your floor and prevent clatter if the stand is knocked.

6. Stands nest for compact storage.

7. For when you need to look good on stage along with the safety aspects of not wanting cables trailing all over the floor, this clever cable tidy helps you control your LED lights cable with ease.

Specification

Height of tray measured from the score to the bottom of the music stand, adjustable between: 699mm and 1320mm. (27½ and 52")

Weight of stand: 2.9kg (6lb 6oz)

Tray size excluding pencil shelf area: 499x 324mm (19.7" x 12.8")

Product code:

Performer3 90Q1 (6up)

Performer3 90Q2 (1up)

The Performer Stand trolley carries up to 18 stands. It has 2 fixed and 2 swivel castors for easy steering, and is coated in tough scratch-resistant epoxy.

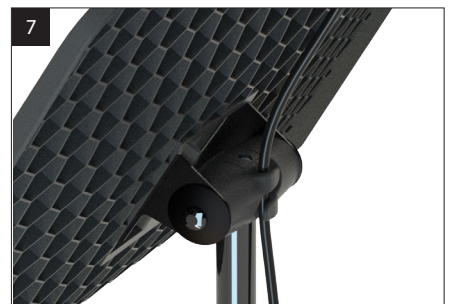
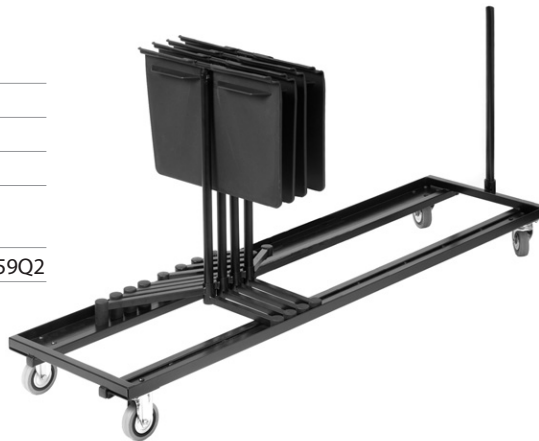
The Performer trolley specification

L x W: 1870 x 450mm (74" x 18")

Weight: 13 kg (28 lb)

Product code:

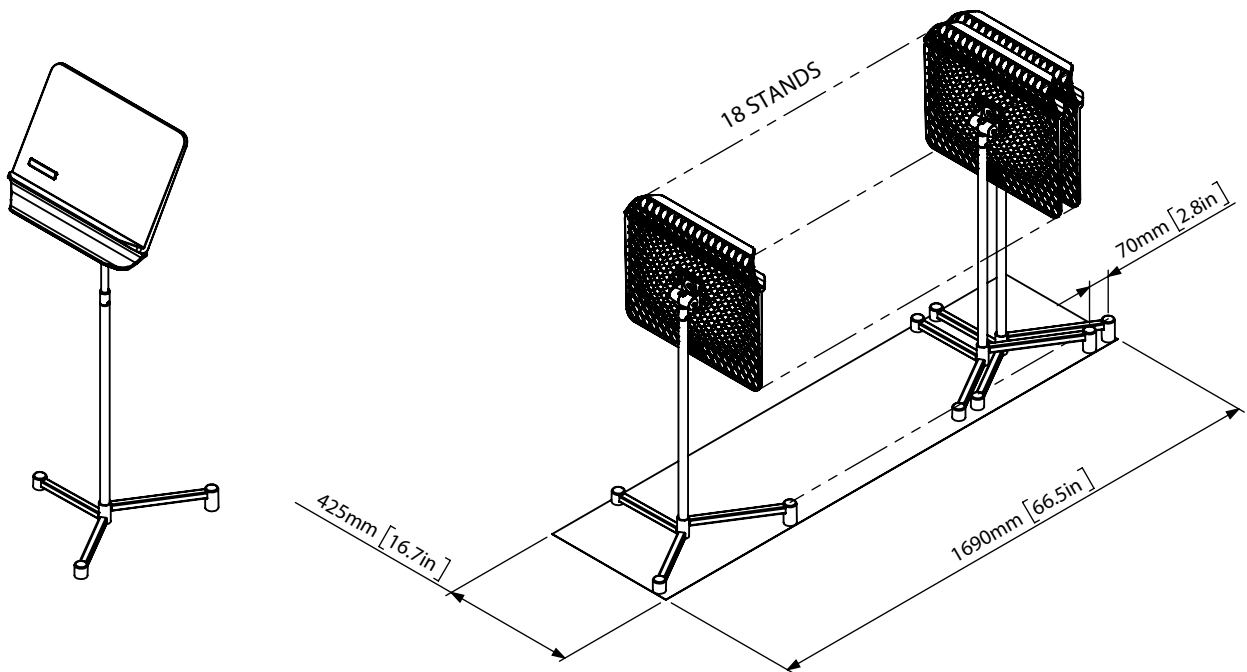
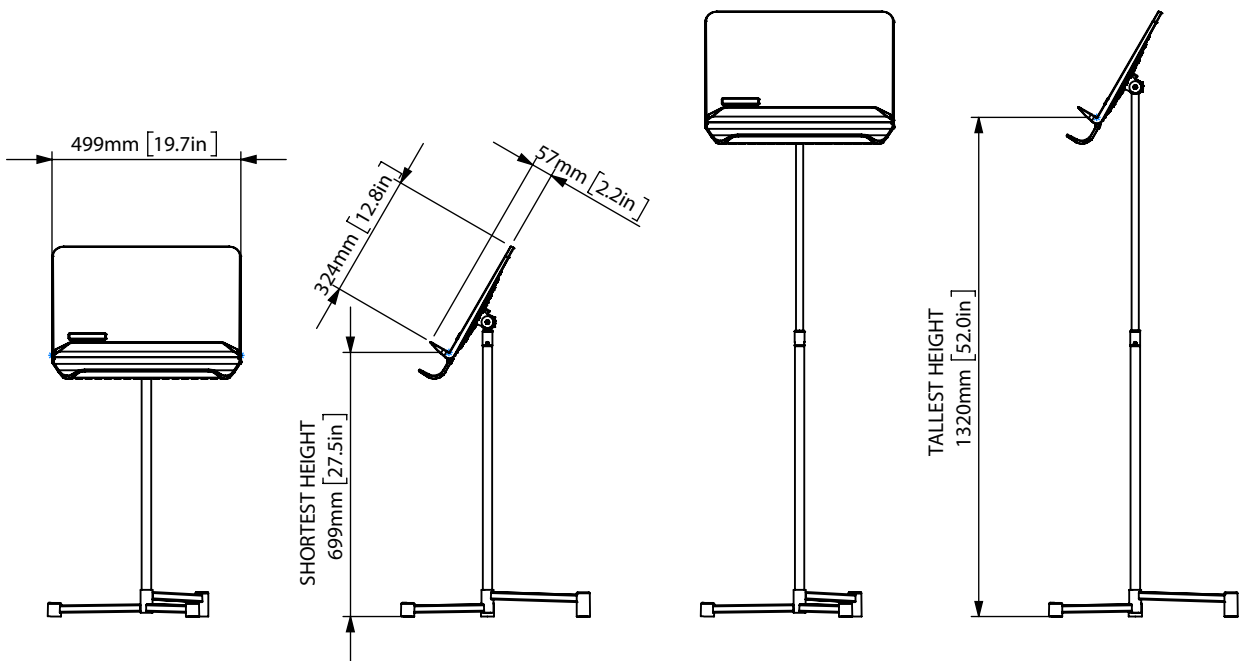
The Performer Stand trolley 59Q2



# THE PERFORMER 3

Detailed specification

**RAT**stands



# THE PERFORMER STAND

Detailed specification

**RAT**stands

## Specifier's description

A high quality music stand with a heavy-gauge steel stem and coated in textured black epoxy/polyester. Stands can be nested on a flat floor, without requiring a trolley. Rubber feet on base provides 3-point contact with the floor. Provision to adjust the angle of the tray and the height of the

stand without any adjusting screws or levers. The level of tension on the stem friction lock can be tightened or loosened using a posi screw found at the top of the stem. Tray injection moulded in polypropylene which does not "ring" when knocked. Has additional lip for pencils and small instruments.

### Construction

Structural parts	Steel
Feet	Natural rubber
Tray	Polypropylene
Coating	Black powder coat

### Dimensions

Tray size	499 x 3242mm [20.7 x 12.7in]
Depth of tray lip	38mm [1.5in]
Height of optional extra lip	65mm [2.55in]
Lowest height to bottom of score	699mm [27.5in]
Tallest height to bottom of score	1320mm [52.0in]
Nesting pitch	60mm [2.4in]
Floor area occupied by 18 stands	1690 x 423mm [64 X 17in]
Weight of stand without lamp	2.9kg [6.4lb]

### General

Warranty	10 years
Applicable standards	
Part number	90Q1