

---

# THE CONCERT CONDUCTOR'S STAND

---

A classic stand designed in contemporary style, The Concert Conductor's Stand's combination of slender metal stem and natural wood tray perfectly complements the appearance of a modern or historic concert hall. Designed with simplicity in mind, the tray is formed from one piece of natural birch and held firmly in place at any angle or height by advanced locking mechanisms.

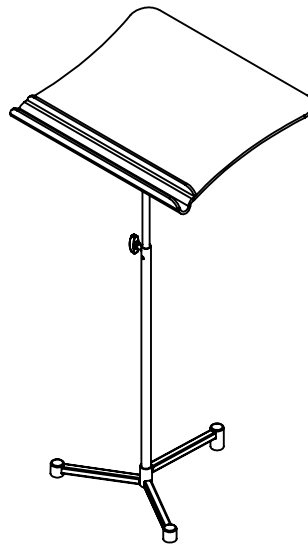
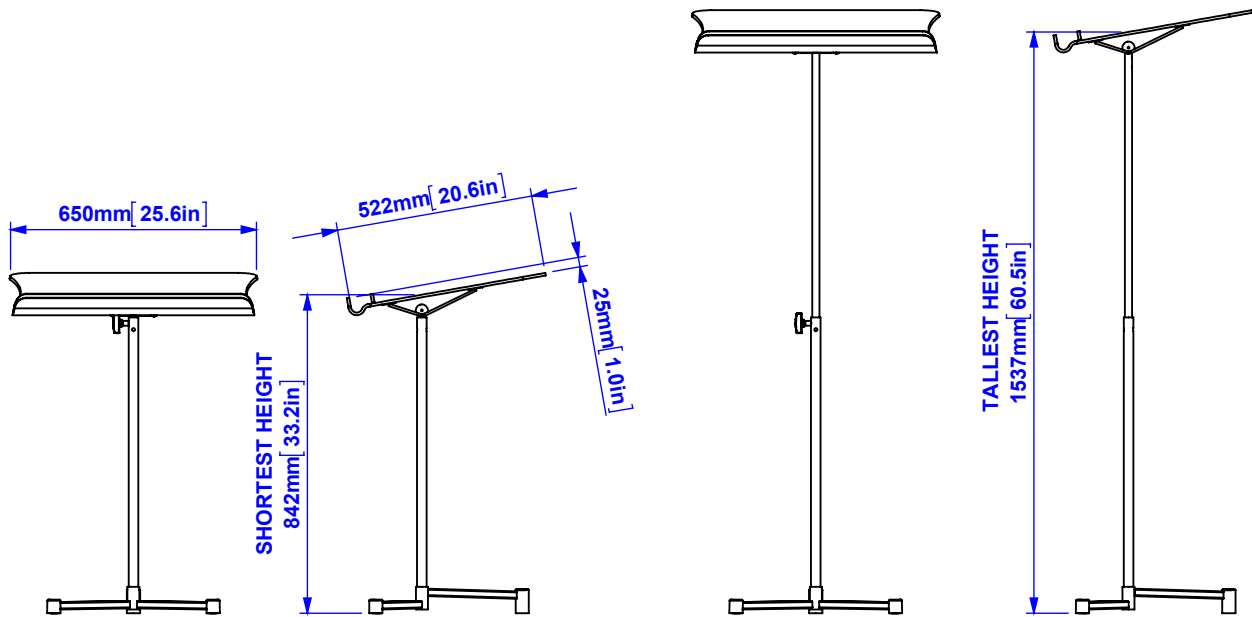


**RAT**stands

# THE CONCERT CONDUCTOR'S STAND

Detailed specification

# RATstands



## Specifier's description

A professional quality Music stand with steel tripod base and telescopic stem. Base coated with 0.2mm thick nylon. Rubber feet on base provides 3 point contact with the floor. Provision to adjust the angle of the tray and the height of the stand. Tray

moulded in one piece from birch veneers and stained/stained to match [insert colour specification].

Construction	
Structural parts	Steel
Feet	Natural rubber
Tray	Wood
Coating	Black nylon and black powder coat

Dimensions	
Tray size	650 x 522mm [25.6 x 20.0in]
Depth of tray lip	25mm [0.9in]
Lowest height to bottom of score	842mm [33.1in]
Tallest height to bottom of score	1573mm [61.9in]
Nesting pitch	70mm [2.7in]
Floor area occupied by 20 stands	1805 x 423mm [71 X 16in]
Weight of stand without lamp	6.0kg [13.3lb]

General	
Warranty	5 years
Applicable standards	
Part number	60Q6P