

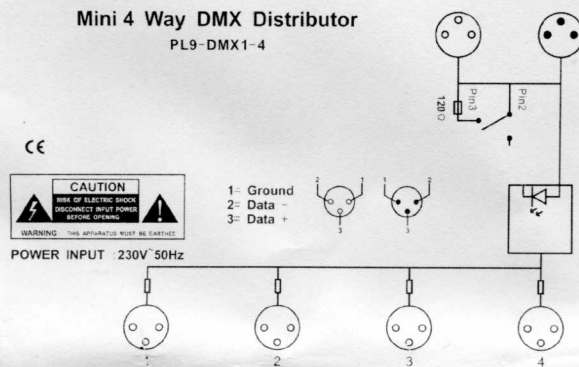
Mini FOUR WAY DMX DISTRIBUTOR USER MANUAL

Congratulations on purchasing your new DMX Distributor. The unit has one input and four output. Absolutely electric isolation between input and output or between output and output. Two type of DMX connector(3pin)for each individual channel, each DMX output features a independent driver. DATA+ & DATA- indicator. There is a DMX switch which is incorporated allowing to isolate from the malfunction caused by DMX input on the case. We strongly recommend that you take time to read this manual fully before you attempt to use the DMX distributor .

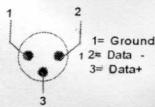
1. Technical specification

⚠ Power input	AC230V~ 50Hz(AC 120V~ 60Hz)
⚠ Fuse(internal)	F500mA 250V. 5 x 20 mm
Dimensions.....	222 X117X45mm
Weight.....	0.9kg

2. Operating instruction and connection

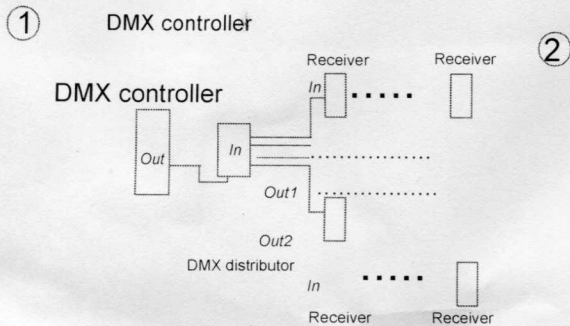


DMX input : from the DMX transmitting device
DMX output : connect to the DMX receiving device

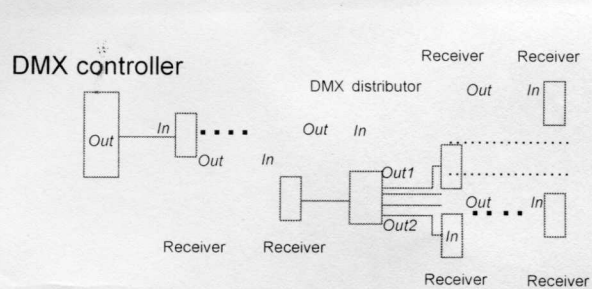


Connector pin designations shall be as follows:
pin 1: signal common (shield)
pin 2: dimmer drive complement (data 1-)
pin 3: dimmer drive true (data 1+)

Connection diagram:



Receiver can not more than 32 units on one out channel
Use one terminator on the last receiver.



Push on the push button. Nothing on link out put.
Receiver can not more than 31 units before DMX distributor
Receiver can not more than 32 units on one out channel
Use one terminator on the last receiver.

⚠ Caution:

This apparatus must be earthed.
Do not apply power source before completely installation.
Always disconnect from mains before replacing the fuse
To reduce risk of fire or electrical shock .do not expose to rain or moisture
Do not try to repair it when the circuit is out of order .Send it back to your supplier for repairing