



H A Harman International Company

D770

Dynamic Microphone

Description

The AKG Model D770 is a rugged dynamic cardioid microphone intended for on-stage vocal and instrumental pickup. Its cardioid pattern is uniform with frequency, and response has been boosted at mid and high frequencies for crisp instrumental pickup and improved speech intelligibility. The microphone has a heavy duty, dent resistant spring-steel windscreen with an integral pop filter for effective suppression of breath noise. The microphone incorporates two important AKG developments: In the "Tiefzieh" Varimotion System™ the diaphragm thickness varies from 20 microns at the edge to 40 microns at the center. This distribution of mass produces extended bass response, virtually eliminating the need for a tuning resonator. In addition, the Doubleflex™ mounting system used with the capsule assembly places the primary resonance of the moving system to well below the audible range, resulting in excellent isolation of handling and cable induced noises. The light-weight body is die cast zinc alloy and has a dark matte finish for minimum reflection and glare.

Specifications

Transducer type:	Dynamic pressure gradient
Frequency response:	60 - 20 kHz (20 - 20 kHz @ 2 cm)
Polar pattern:	Cardioid
Impedance:	<600 ohms
Recommended load impedance:	>2000 ohms
Output connector:	XLR-M
Sensitivity:	2.5 mV/Pa; -52 dB (re 1 V/Pa)
Sound pressure level for 1% (3%) THD:	147 dB SPL (156 dB SPL)
Size:	Maximum diameter: 2 in. (50 mm) 7.1 in. length (180 mm)
Net weight:	10.2 oz. (290 g)
Shipping weight:	23 oz. (650 g)
Accessories included:	SA44 Stand adapter Mic bag, blue nylon with rugged zipper
Optional accessories:	SA26, SA41/1 Stand adapter ST5/3, ST305 Table stands W23 Foam windscreen

Features:

- Response tailored for vocal and instrumental on-stage performance
- Frequency independent cardioid pattern for added immunity to feedback
- Very low handling noise through use of AKG's Doubleflex™ anti-vibration isolation system
- High sensitivity (2.5 mV/Pa) resulting from use of high-energy neodymium-iron-boron magnet
- Light-weight die cast metal body with dark matte finish
- Spring-steel dent resistant windscreen

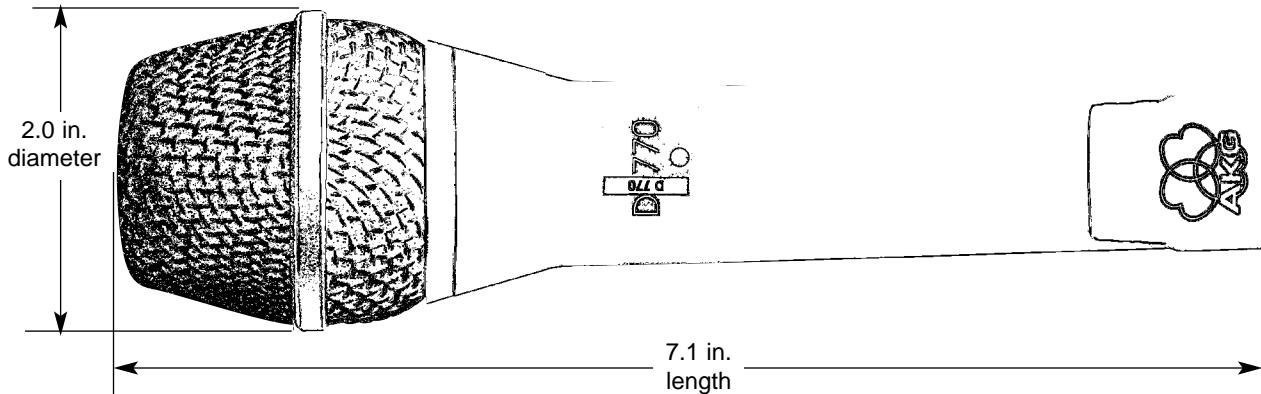
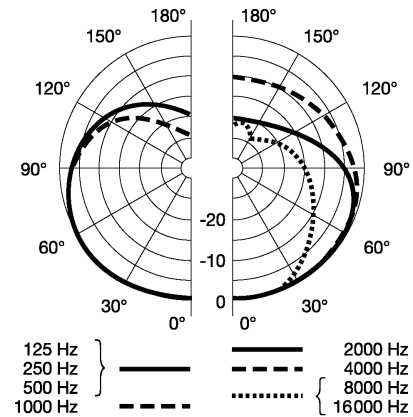
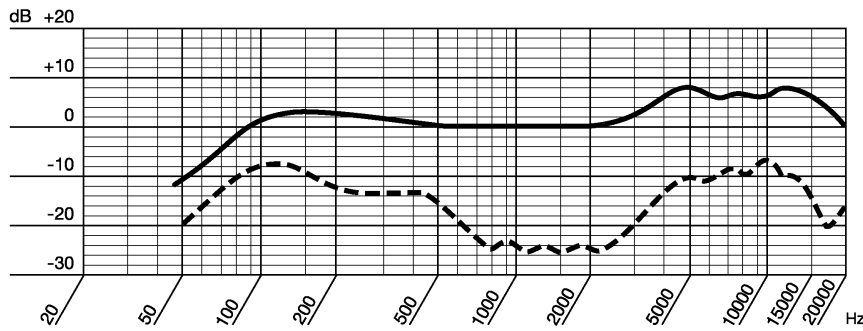


Architects and Engineers Specifications

The microphone shall be a dynamic type with a cardioid pickup pattern. Sensitivity shall be no less than 2.5 mV/Pa, and the maximum operating level for 3% THD shall be no less than 156 dB SPL. The maximum diameter of the microphone shall be no greater than 2 in. (50 mm), and the microphone length shall

be no greater than 7.1 in. (180 mm). Microphone net weight shall be no greater than 10.2 oz. The microphone shall have a spring-steel windscreen with an integral, replaceable inner pop filter. The microphone shall be the AKG Acoustics model D770.

Graphical Data



AKG is constantly improving and modifying its products, therefore, specifications are subject to change without notice.

Limited Warranty

Valid only in the United States. AKG Acoustics warrants AKG products against defects in material or workmanship for a period of one year from the date of original purchase for use, and agrees to repair or, at our option, replace any defective unit without charge for either parts or labor. Important: This warranty does not cover damage resulting from accident, misuse or abuse, lack of reasonable care, the affixing of any attachment not provided with the product, loss of parts or connecting the product to any but the specified receptacles. This warranty is void unless service or repairs are performed by an authorized service center. No responsibility is assumed for any special, incidental

or consequential damages. However, the limitation of any right or remedy shall not be effective where such is prohibited or restricted by law. Simply take or ship your AKG product prepaid to our service department. Be sure to include your sales slip as proof of purchase date. (We will not repair transit damage under the no-charge terms of this warranty.) Note: No other warranty, written or oral is authorized by AKG Acoustics, Inc. This warranty gives you specific legal rights, and you may also have other rights which vary from state to state. Some states do not allow the exclusion or limitation of incidental or consequential damages or limitation on how long an implied warranty lasts, so the above exclusions and limitation may not apply to you.

Microphones · Headphones · Wireless Microphones · Wireless Headphones · Headsets · Electroacoustical Components



H A Harman International Company

AKG Acoustics GmbH
Lemböckgasse 21-25, P.O.B. 158, A-1230 Vienna/AUSTRIA
Tel: (43 1) 86 654-0*, Fax: (43 1) 86 654-516
Internet: <http://www.ake-acoustics.com>

AKG Acoustics; A Division of Harman Pro Germany
Bodenseestraße 228, D-81243 München/GERMANY
Tel: (089) 87 16-0, Fax: (089) 87 16-200

Arbiter Pro Audio
Wilberforce Road, London NW9 6AX/ENGLAND
Tel: (0181) 202 1199, Fax: (0181) 202 7076

AKG ACOUSTICS, U.S.
1449 Donelson Pike
Nashville, TN 37217, U.S.A.
Tel: (615) 360-0499, Fax: (615) 360-0275

Studer Japan Ltd.
2-43-7, Uehara, Shibuya-ku, Tokyo 151-0064/JAPAN
Tel: (813) 3465-2211, Fax: (813) 3465-2214

Erikson Pro Audio
620 McCaffrey, St-Laurent, Quebec, H4T 1N1, CANADA
Tel: (514) 738-3000, Fax: (514) 737-5069
Internet: www.jam-ind.com/eriksonpro